

SOVIET HEAVY TANK KV-1

Vol.4 - box-type lubricant tank

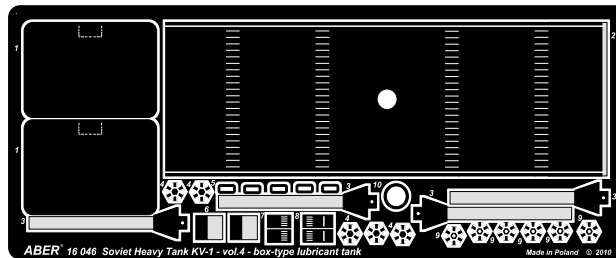
Radziecki czołg ciężki KV-1
cz.4 -skrzyniowy zasobnik na olej

1/16 scale update for Tamiya model

ABER® 16 046

WWW.ABER.NET.PL

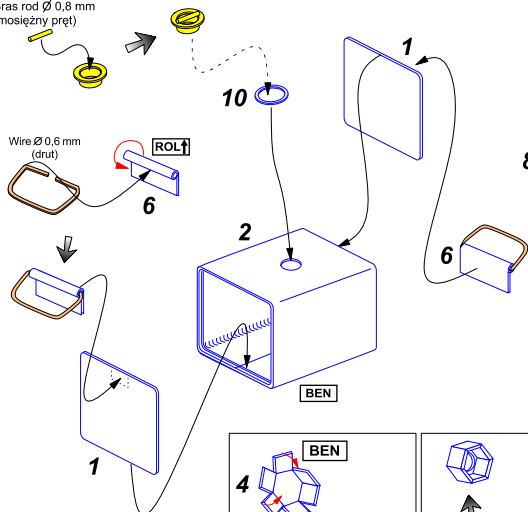
Made in Poland © 2010



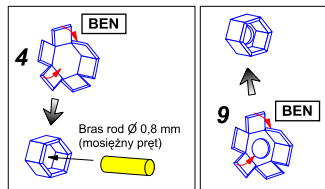
WARNING

Any unauthorized copying, producing and reproducing of ABER company products, or any part thereof, is strictly prohibited and any such action establishes liability for a civil action and may give rise to criminal prosecution.

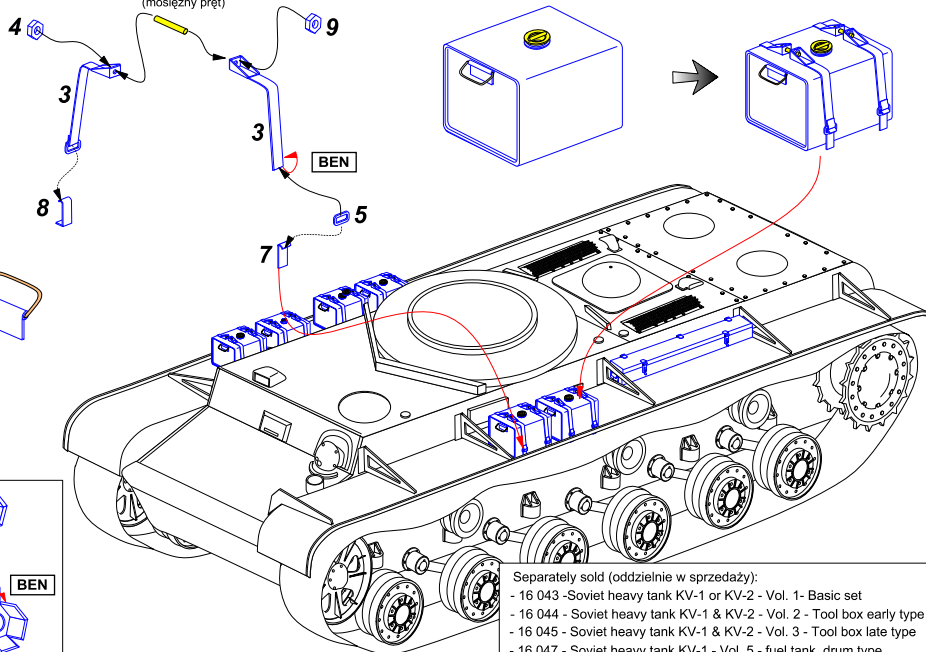
Bras rod \varnothing 0,8 mm
(mosiężny pręt)



We advise that better method to join metal to metal is soldering. Use ABER soldering solution AF20 (doradzamy łączenie części metalowych za pomocą lutowania. Zastosuj nasz topnik AF20)



Bras rod \varnothing 0,8 mm
(mosiężny pręt)



Separately sold (oddzielnie w sprzedaży):

- 16 043 - Soviet heavy tank KV-1 or KV-2 - Vol. 1 - Basic set
- 16 044 - Soviet heavy tank KV-1 & KV-2 - Vol. 2 - Tool box early type
- 16 045 - Soviet heavy tank KV-1 & KV-2 - Vol. 3 - Tool box late type
- 16 047 - Soviet heavy tank KV-1 - Vol. 5 - fuel tank, drum type