

# RUSSIAN HEAVY TANK KV-I or KV-II

## Vol.2 - Fenders - early model

Radziecki czołg ciężki  
KV-I lub KV-II

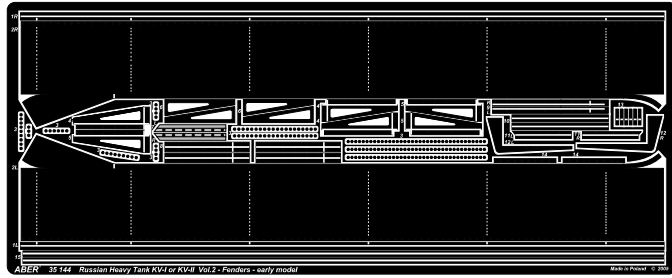
cz.2 -dodatkowy Błotniki wczesne

1/35 scale update for Tamiya model

**ABER®**

**35 144**

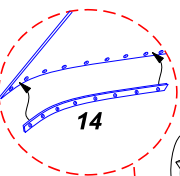
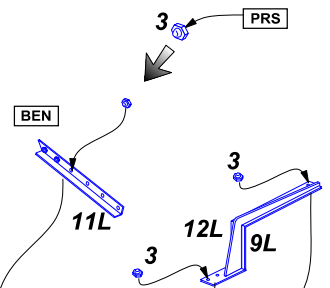
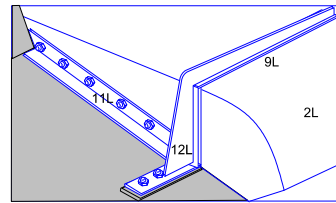
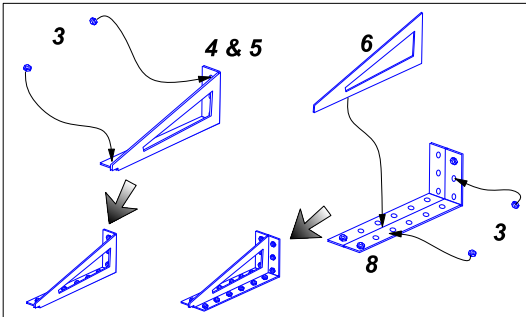
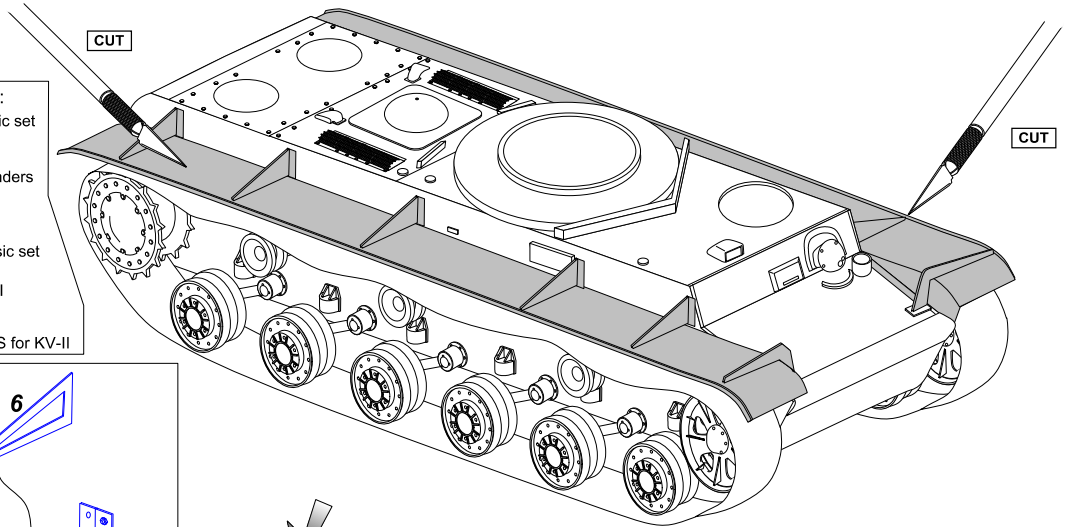
Made in Poland © 2005



We advise that better method to join metal to metal is soldering  
(doradzamy łączenie części metalowych za pomocą lutowania)

Separately sold (oddzielnie w sprzedaży):

- 35 143 - Russian heavy tank KV-I - Vol. 1- Basic set
- 35 145 - Russian heavy tank KV-I & KV-II  
- Vol. 3 - Tool boxes (for early fenders)
- 35 146 - Russian heavy tank KV-I - Vol. 4 - Fenders  
- Late model
- 35 147 - Russian heavy tank KV-I - Vol. 5  
- Tool boxes (for late fenders)
- 35 166 - Russian heavy tank KV-II - Vol. 1- Basic set
- 35 L-34 - Russian tank barrel 76,2 mm F-34  
for T-34/76 model 1941-43 and KV-I
- 35 L-43 - Russian tank barrel 76,2 mm F-32  
KV-I early model 1941
- 35 L-43 - Russian tank barrel 152,4 mm M-10S for KV-II



OPTIONAL  
PR3

